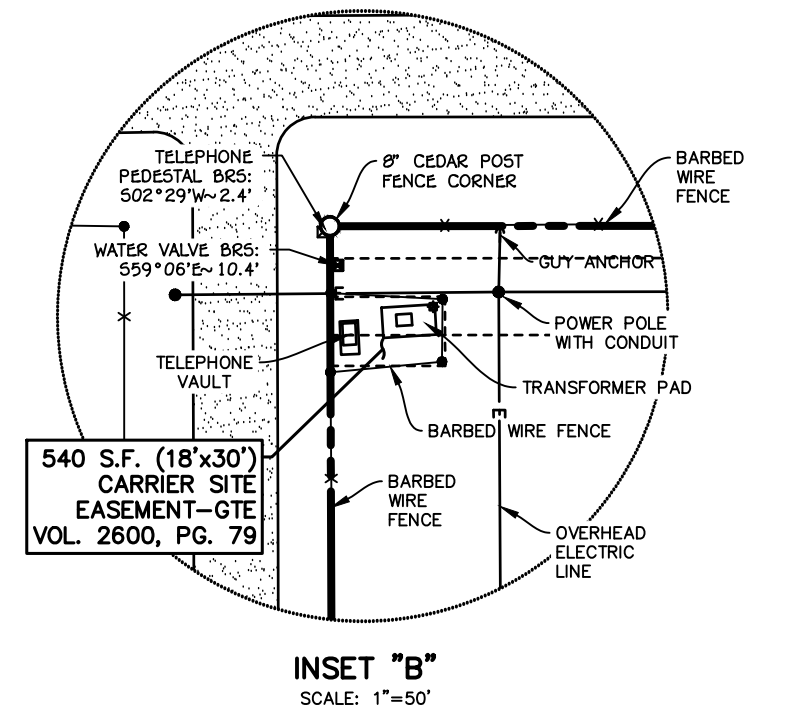
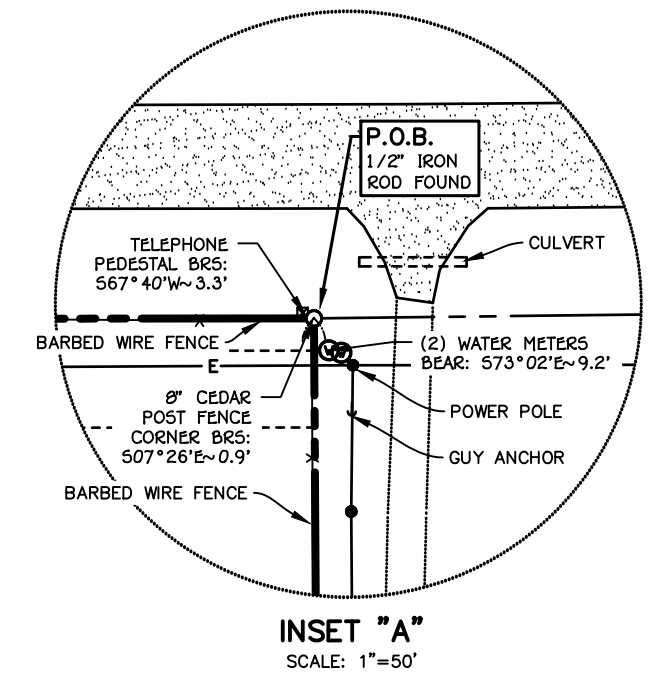
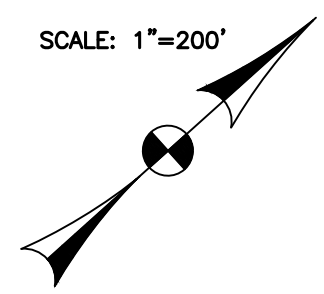
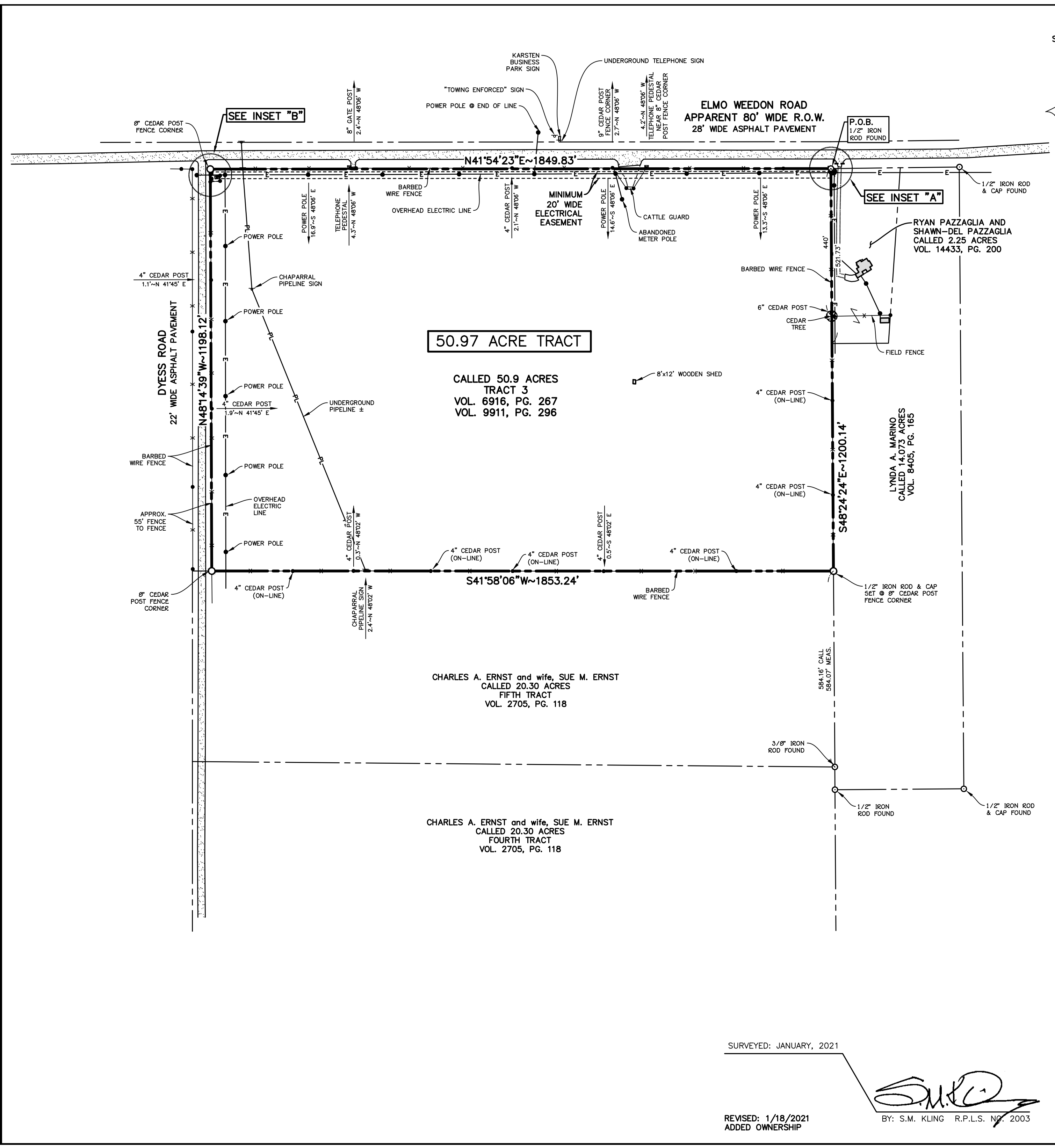
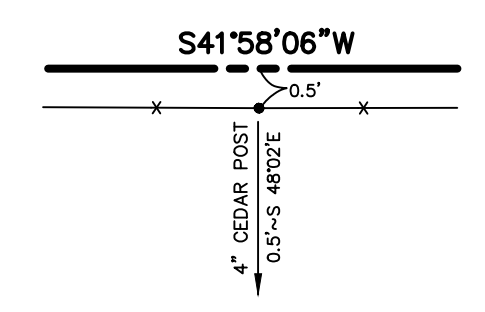


\\neon\bcas\_projects\data\GIS\Proj\_2020\EG662800\_Dahlis\_Waller - 50AC BOUNDARY\cadd\Exhibits\EG662800\_X101\_Boundary Update.dwg | 1/19/2021 9:25 AM



- NOTES:**
1. BASIS OF BEARINGS IS THE MONUMENTED NORTHWEST LINE OF THE 50.9 ACRE TRACT DESCRIBED IN VOL. 6916, PG. 267 OF THE OFFICIAL RECORDS OF BRAZOS COUNTY, TEXAS. RECORD BEARING: N 41°54'23"E.
  2. CURRENT TITLE APPEARS VESTED IN DAHLIS BOOTHE WALLER & CHARLES PEYTON WALLER TRUST BY VIRTUE OF DEEDS RECORDED IN VOL. 6916, PG. 267 & VOL. 9911, PG. 296 OF THE OFFICIAL RECORDS OF BRAZOS COUNTY, TEXAS.
  3. THE SUBJECT TRACT DOES NOT LIE WITHIN THE 100 YEAR FLOODPLAIN ACCORDING TO THE F.E.M.A. FLOOD INSURANCE RATE MAP FOR BRAZOS COUNTY, TEXAS AND INCORPORATED AREAS. COMMUNITY NO. 481195, PANEL NO. 0250E, MAP NO. 48041C0250E. EFFECTIVE DATE: MAY 16, 2012.
  4. THE DIRECTION AND DISTANCE SHOWN TO PHYSICAL OBJECTS ALONG THE PERIMETER ARE FROM THE RECONSTRUCTED DEED LINE TO THE OBJECT SHOWN.



5. THIS SURVEY WAS CONDUCTED WITHOUT THE BENEFIT OF A COMMITMENT FOR TITLE INSURANCE. NO DEED RESEARCH WAS CONDUCTED TO DETERMINE APPLICABLE EASEMENTS. THIS SURVEY DOES NOT REPRESENT THAT ALL APPLICABLE EASEMENTS ARE SHOWN HEREON.

**SURVEY PLAT**  
OF  
**DAHLIS BOOTHE WALLER**  
**CHARLES PAYTON WALLER TRUST**  
**50.97 ACRE TRACT**

T. J. ALLCORN SURVEY, A-61  
BRAZOS COUNTY, TEXAS

SCALE: 1"=200' JANUARY, 2021

**CEC**  
CIVIL ENGINEERING CONSULTANTS  
1555 GREENS PRAIRIE ROAD WEST  
COLLEGE STATION, TX 77845-(979)846-6212  
TEXAS FIRM REGISTRATION NUMBERS  
ENG. F-2214 & SURVEYING 10042800

SURVEYED: JANUARY, 2021

REVISED: 1/18/2021  
ADDED OWNERSHIP

BY: *S.M. Kling*  
S.M. KLING R.P.L.S. NO. 2003

